

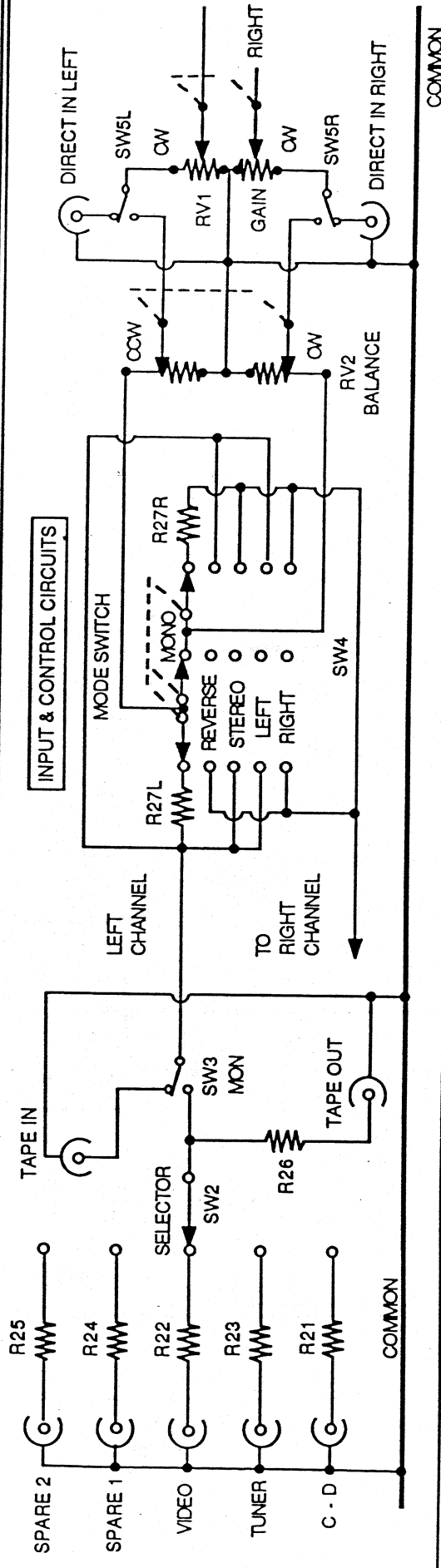
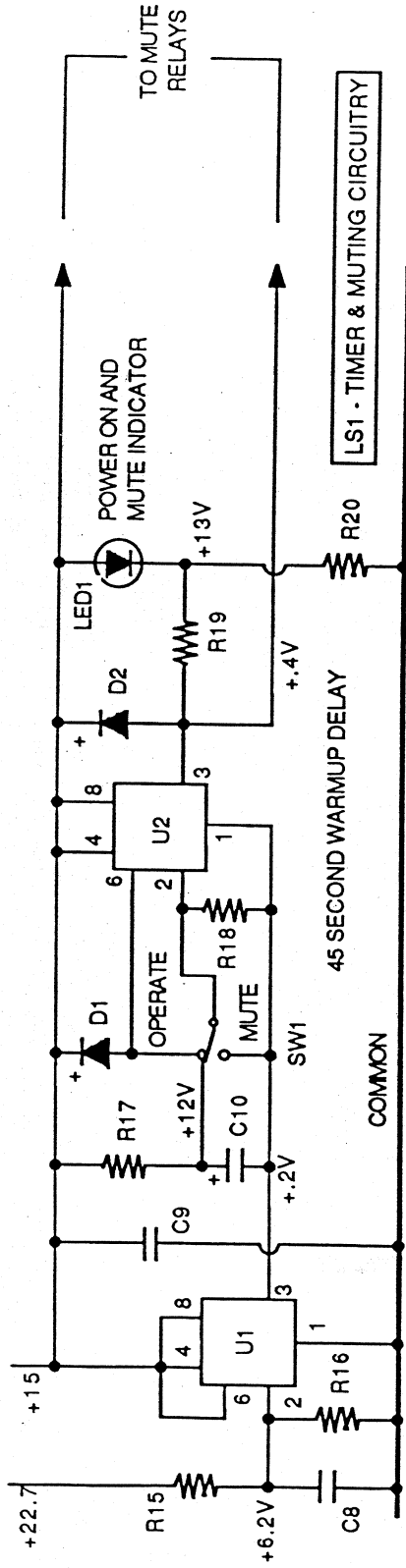
MODEL LS1 LINE STAGE AMPLIFIER  
SCHEMATIC

8-25-89

**audio research corporation**

6801 SHINGLE CREEK PARKWAY  
MINNEAPOLIS, MINNESOTA 55430



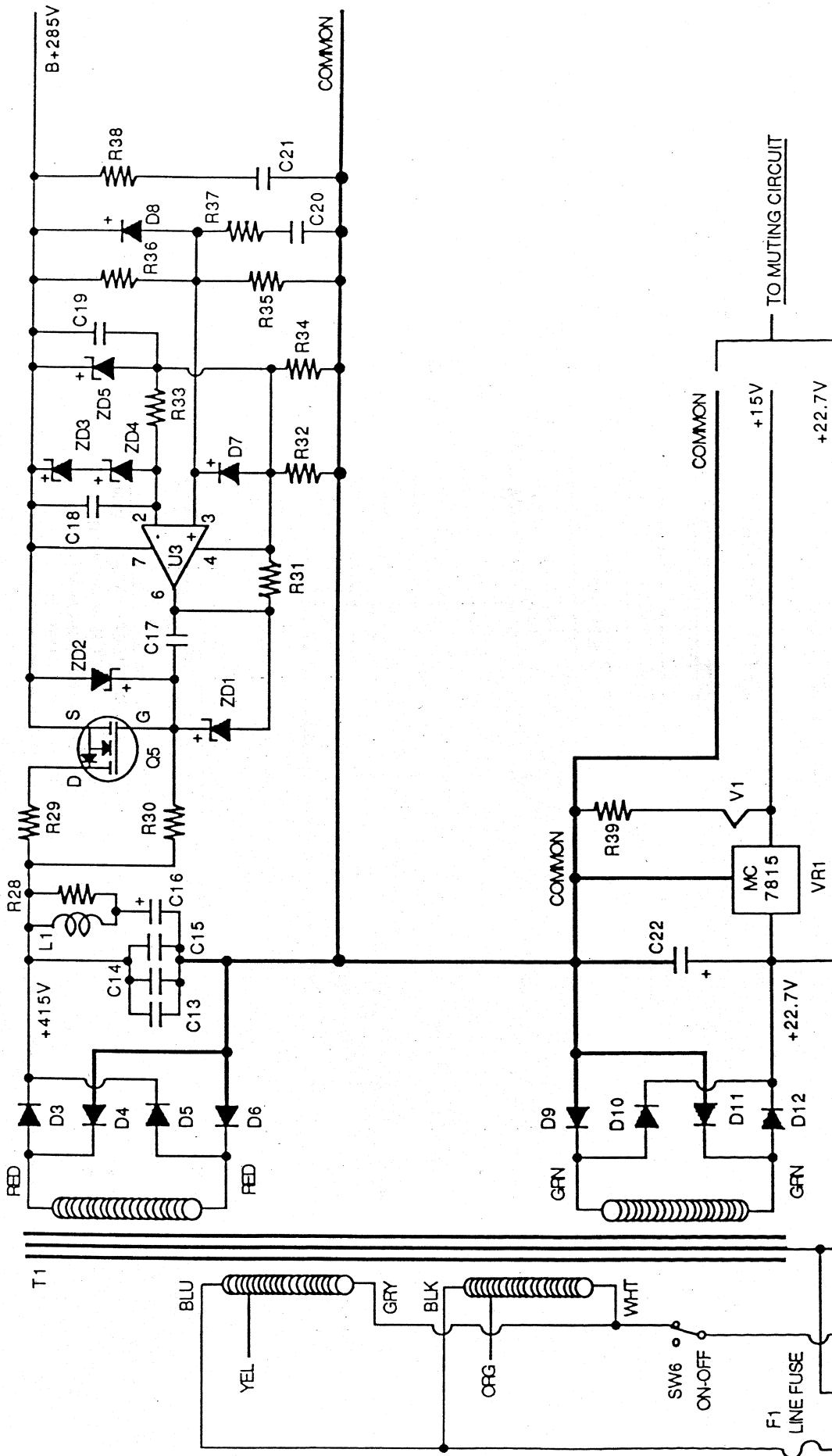


8-15-89 (C) COPYRIGHT 1989

LS1 PREAMPLIFIER - (MUTING & SWITCHING CIRCUITRY) - PAGE 2 of 3 PAGES

AUDIO RESEARCH CORPORATION  
 6801 SHINGLE CREEK PARKWAY  
 MINNEAPOLIS, MN 55430

PROPRIETARY NOTICE: THIS DRAWING CONTAINS PATENTED, PATENT PENDING, PATENT APPLIED FOR, AND/OR OTHER CIRCUITRY CONSIDERED PROPRIETARY BY AUDIO RESEARCH CORPORATION AND IS FURNISHED ON A CONFIDENTIAL BASIS FOR IDENTIFICATION PURPOSES ONLY.



LS1 PREAMPLIFIER - (POWER SUPPLY SECTION) - PAGE 3 of 3 PAGES

8-23-89 © COPYRIGHT 1989

PROPRIETARY NOTICE: THIS DRAWING CONTAINS PATENTED, PATENT PENDING, PATENT APPLIED FOR, AND/OR OTHER INFORMATION CONSIDERED PROPRIETARY BY AUDIO RESEARCH AND IS FURNISHED ON A CONFIDENTIAL BASIS FOR IDENTIFICATION PURPOSES ONLY.

AUDIO RESEARCH CORPORATION  
 6801 SHINGLE CREEK PARKWAY  
 MINNEAPOLIS, MINNESOTA 55430

100-135 VAC 50/60Hz  
 BLK GRN WHT  
 CHASSIS

## PARTS LIST

As of AUG 25 89

PRODUCT: LS1

NOTES:

Schematic Symbol	Quantity	ARC Part #	Description
CAPACITORS			
C 1,6,7,13,14,20	9	53100406	CAP. .01 UF+/-10% 630V
C 2	2	53470510	CAP. .47 UF 425V IAR
C 3,4	4	53560103	CAP. 56 PF+/-2% 630V DPN
C 5	2	53500606	CAP. 5 UF+/-10% 250V
C 8,9	2	53220506	CAP. .22 UF 100V
C 10	1	51330702	CAP. 33 UF+/-10% 16V
C 11,12	2	52500300	CAP. .005 UF 20% CERAMIC DISC
C 15	1	53100608	CAP. 1.0 UF 1-20% 425V TYPE V
C 16	1	50100802	CAP. 100 UF 450V
C 17,18,19	3	53220507	CAP. .22 UF 10% 160V
C 21	1	53200602	CAP. 2 UF +/-10% 450V
C 22	1	50150904	CAP. 1500 UF 35V
DIODES			
D 1,2,7,8	4	30500910	FAIRCHILD IN916B
D 3,4,5,6	4	30502200	IN4006
D 9,10,11,12	4	30500400	IN4005 GENERAL INSTRUMENT
FUSES			
F 1(220/240V)	1	34500120	FUSE, MDX/MDC 3/10A SL BL 220
F 1(120V)	1	34500250	FUSE, BUSSMANN MDQ 6/10 A
CONNECTORS			
J 2-8	14	23202100	GOLD PHONO JACK,SP9
J 1,9,10	6	23202101	GOLD PHONO JACK,SD.CONN.
LED 1	1	34300102	LED,COLLAR & RETAINING RING
TRANSISTORS			
Q 1	2	30006503	FET, WHITE ORANGE
Q 2,3	4	30005901	FET, RED BROWN
Q 4	2	30006716	FET, ORANGE, GREEN, BLUE
Q 5	1	30006811	FET, YELLOW
RESISTORS			
R 1,37,39B	6	42332203	RES. 332 OHM 1% MK-3 50PPM
R 2,13	4	42475503	RES. 475K 1% MK-3 50PPM
R 3,29	4	42200205	RES. 200 OHM+/-1% MK8 50PPM
R 4	4	42221303	RES. 2.21K 1% MK-3 50PPM
R 4A	2	42237303	RES. 2.37K 1% MK-3 50PPM
R 4B	2	42287303	RES. 2.87K 1% MK-3 50PPM
R 5	4	42182303	RES. 1.82K 1% MK-3 50PPM
R 6	4	42681303	RES. 6.81K 1% MK-3 50PPM
R 7	2	42750405	RES. 75K 1% MK-8 50PPM

## PARTS LIST

As of AUG 25 89

PRODUCT: LS1

NOTES:

Schematic Symbol	Quantity	ARC Part #	Description
RESISTORS			
R 8,12,32,34	6	42100505	RES. 100K 1% MK-8 50PPM
R 9	2	42267203	RES. 267 OHM 1% MK-3 50PPM
R 9A	2	42619203	RES. .619 OHM 1% MK-3 50PPM
R 10	2	42215403	RES. 21.5K 1% MK-3 50PPM
R 11	2	42392303	RES. 3.92K 1% MK-3 50PPM
R 12A	2	42274405	RES. 27.4K 1% MK-8 50PPM
R 14	4	42475203	RES. 475 OHM 1% MK-3 50PPM
R 15	1	42768403	RES. 76.8K 1% MK-3 50PPM
R 16	1	42324403	RES. 32.4K 1% MK-3 50PPM
R 17	1	42100603	RES. 1 MEG 1% MK-3 50PPM
R 18	1	41100702	RES. 10 MEG 1/4W 5%
R 19	1	42100303	RES. 1K 1% MK-3 50PPM
R 20	1	42511303	RES. 5.11K 1% MK-3 50PPM
R 21	4	42499403	RES. 49.9K 1% MK-3 50PPM
R 22,24,25,26	8	42499203	RES. 499 OHM 1% MK-3 50PPM
R 23	2	42549103	RES. 54.9 OHM 1% MK-3 50PPM
R 27	2	42464303	RES. 4.64K 1% MK-3 50PPM
R 28	1	42100203	RES. 100 OHM 1% MK-3 50PPM
R 30	1	42158513	RES. 158K 1% MK-4 50PPM
R 31	2	42392403	RES. 39.2K 1% MK-3 50PPM
R 33	1	42499303	RES. 4.99K 1% MK-3 50PPM
R 35	1	42280513	RES. 280K 1% MK-4 50PPM
R 36	1	42150403	RES. 15K 1% MK-3 50PPM
R 36A	1	42215503	RES. 215K 1% MK-3 50PPM
R 38	1	43100002	RES. 1 OHM 2W 5% W.W.
R 39	1	43500100	RES. 50 OHM +/-5% 4 1/2W
R 39A	1	43750102	RES. 75 OHM 3W 5%
CONTROLS			
RV 1	1	45100528	100K DUAL GAIN POT
RV 2	1	45100529	100K DUAL BALANCE POT
RELAYS			
RY 1	2	64101000	RELAY, 12V REED 51P 1200 OHM
SWITCHES			
SW 1,3,5	3	24100420	TOGGLE SW.GOLD PRE. SATIN
SW 2	1	24001000	5 POS SOURCE SWITCH,SP11
SW 4	1	24000700	5 POS MODE SWITCH,SP11
SW 6	1	24100720	TOGGLE SW. SILVER PRE. SATIN
TRANSFORMERS			
T 1	1	60007701	XFR. SP9/14(220/240V) TOROID
INTEGRATED CIRCUITS			
U 1,2	2	31000801	TIMER MC1455P1

## PARTS LIST

As of AUG 25 89

PRODUCT: LS1

NOTES:

Schematic Symbol	Quantity	ARC Part #	Description
-----			
INTEGRATED CIRCUITS			
U 3	1	31002200	MC34071P MOTOROLA
VOLTAGE REGULATOR			
VR 1	1	31002000	MC7815CT
ZENER DIODES			
ZD 1	1	30504200	IN5535A
ZD 2	1	30500300	IN4740A
ZD 3,4	2	31000702	LM329DZ RED
ZD 5	1	30503500	IN5359 B